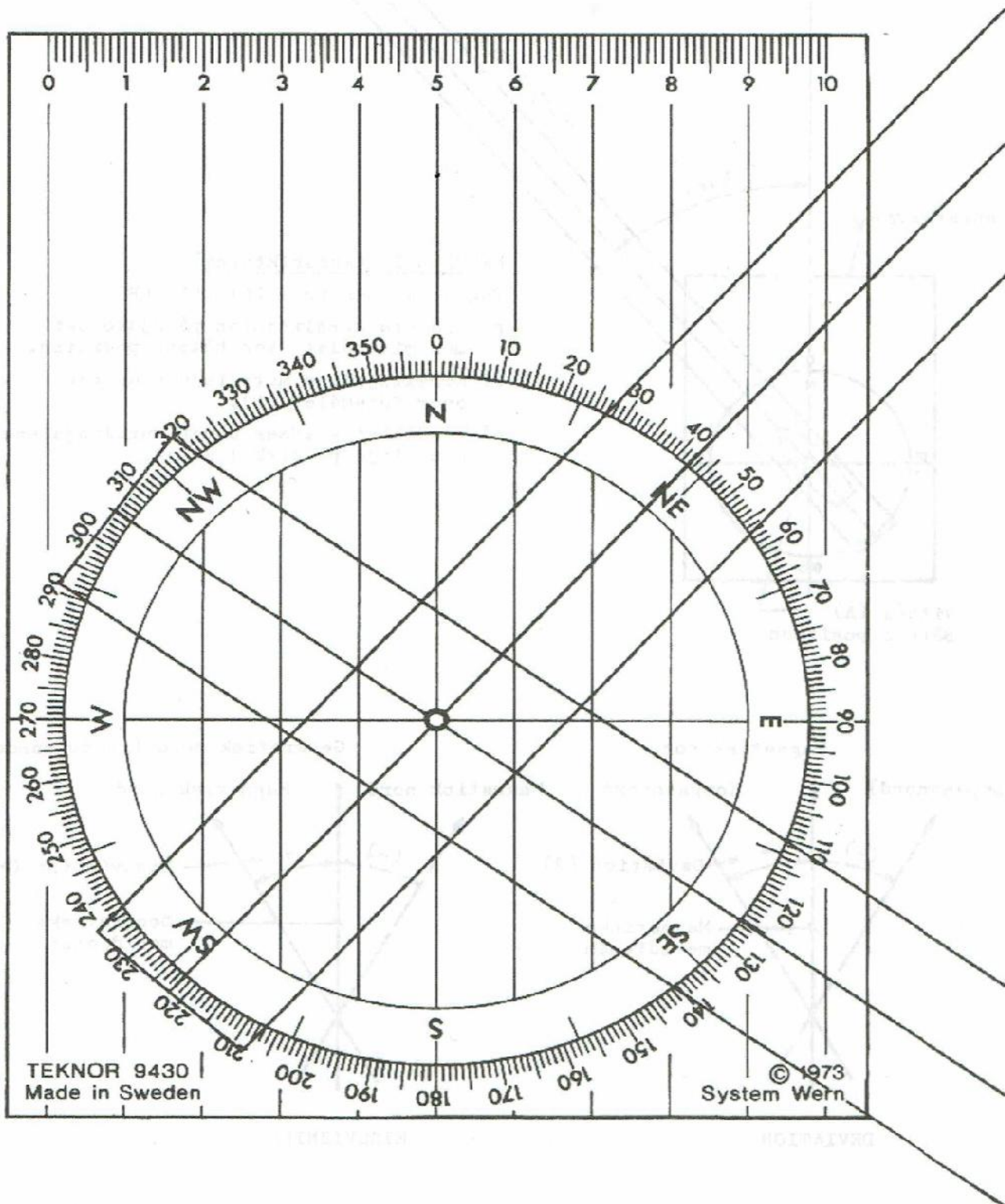
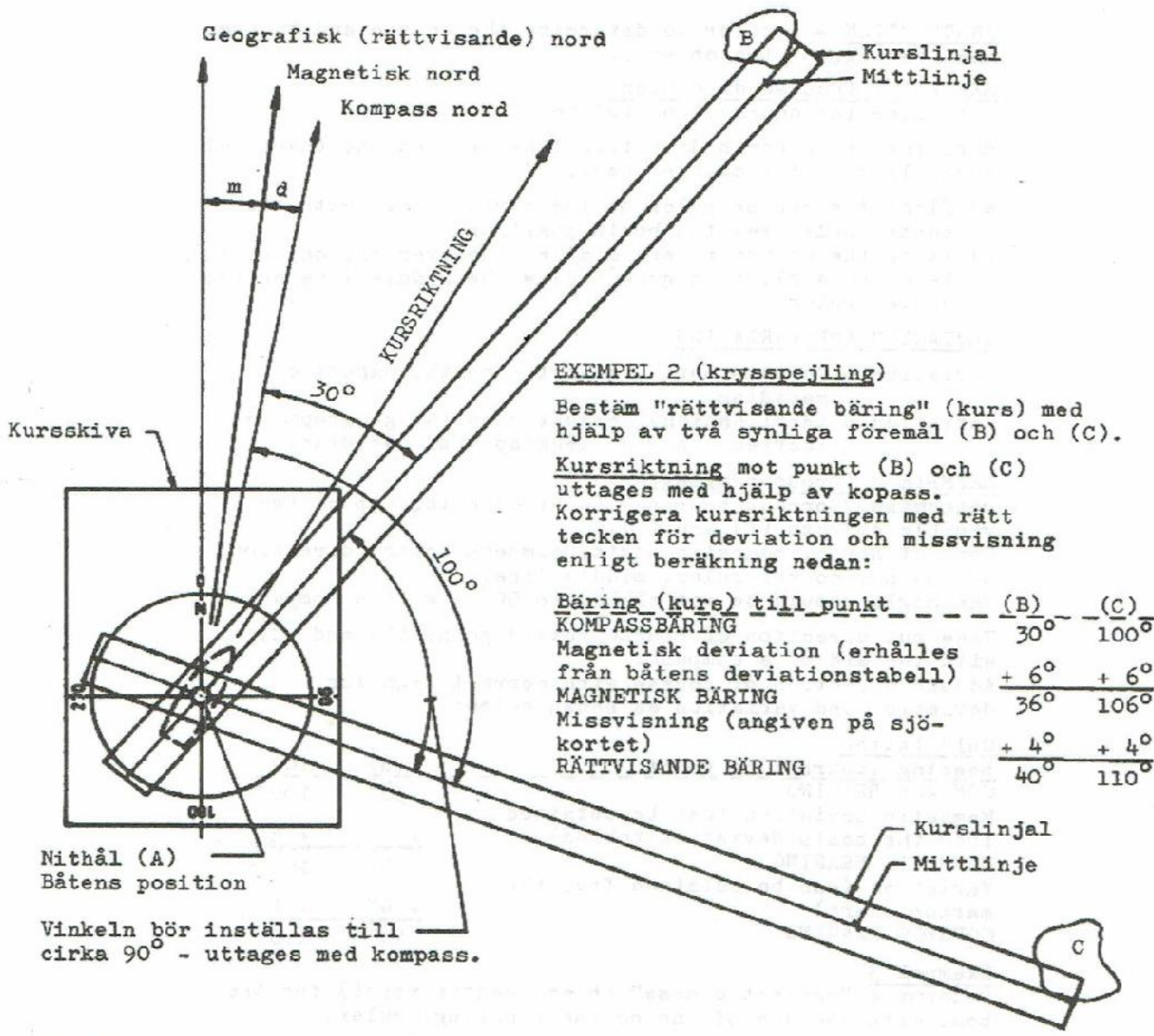


BRUKSANVISNING FÖR
KURS- OCH PEJLLINJAL
TEKNOR 9430



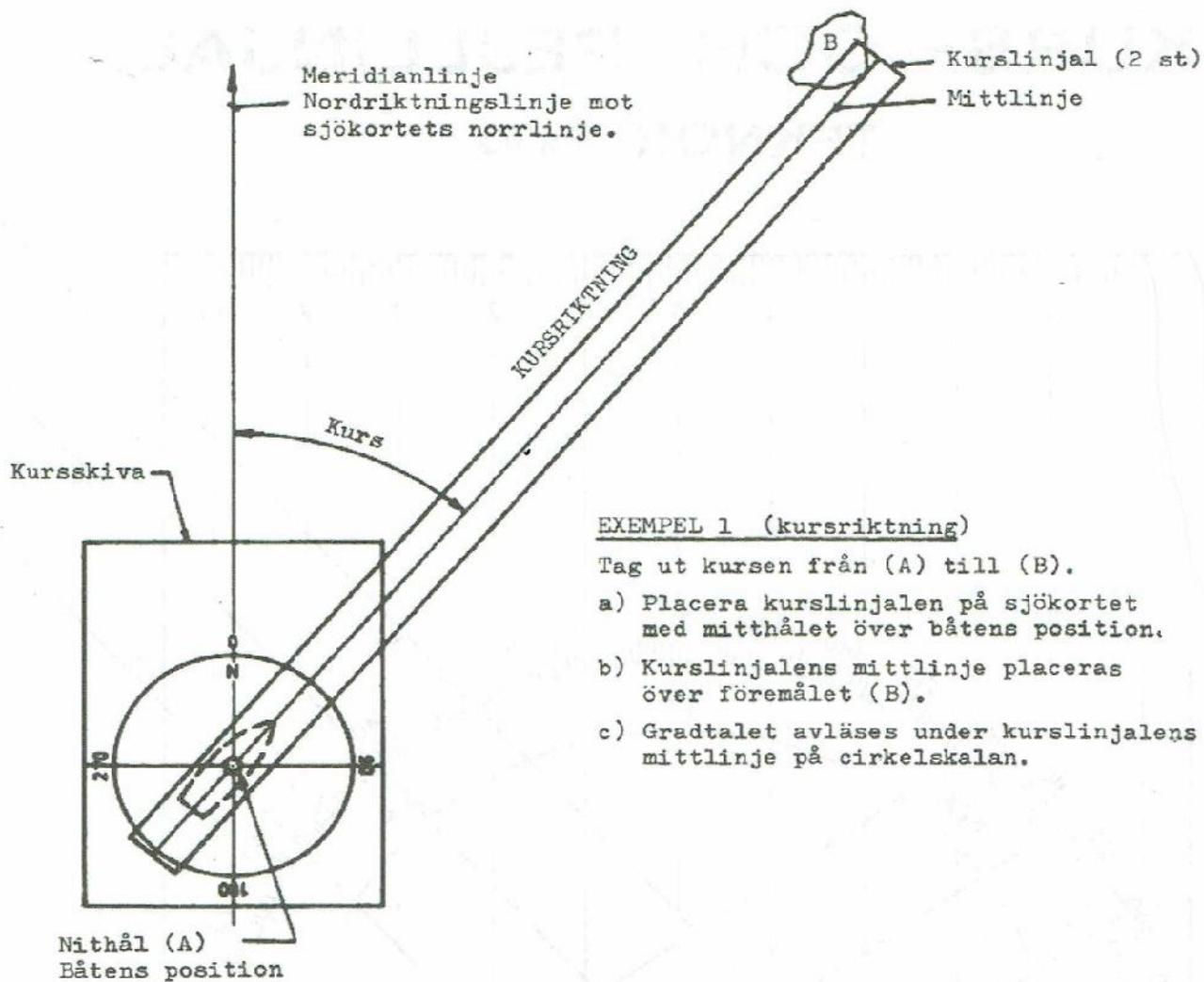


EXEMPEL 3

Bestäm "rättvisande kursläge" (båtens centrum) för båten med hjälp av kurs- och pejllinjal.

- a) Linjalerna inställes för rättvisande kurs (40°) och (110°).
- b) Kurskivan placeras på sjökortet med nord- och sydlinjen parallell med sjökortets meridianer.
- c) Kurskivan flyttas på sjökortet tills punkt (B) och (C) skär kurslinjalernas mittlinje med förutsättning enligt b) ovan.
- d) Båtens rättvisande läge befinner sig nu i kurskivans nithål.
- e) Inställ kompassen för ny kursriktning mot destination.

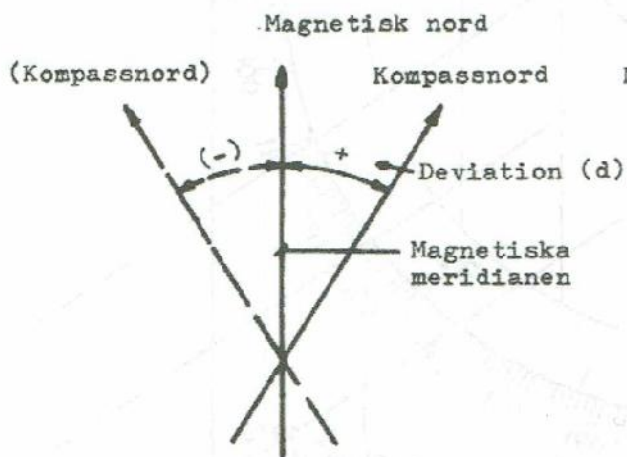
AB TEKNOLOGI
PÅSUNDVÄGEN 15, 141 83 BÄCKEN



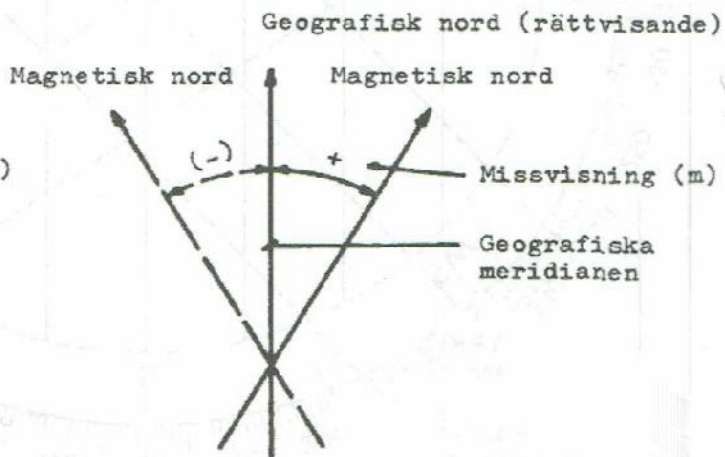
EXEMPEL 1 (kursriktning)

Tag ut kursen från (A) till (B).

- Placera kurslinjalen på sjökortet med mitthålet över båtens position.
- Kurslinjalens mittlinje placeras över föremålet (B).
- Gradtalet avläses under kurslinjalens mittlinje på cirkelskalan.



DEVIATION



MISSVISNING

INSTRUCTION - a ruler to determine the course and to take the bearings of two objects.

EXEMPEL 1 (Course direction)

Determine the course from (A) to (B).

Meridianline - north direction line against the (nautical) north line on the marine chart.

- a) Place the course ruler on the marine chart with the center hole over the boats position.
- b) Place the course rulers middle line over the object (B).
- c) Read the angle in degrees below the middle line on the course ruler.

DEVIATION AND VARIATION.

Deviation = Compass north, magnetic north, magnetic meridian.

Variation = (declination), magnetic north, geographical (correct) north, geographical meridian.

EXEMPLE 2 (Cross-bearing)

Determine "Correct bearing" (course) with help of two visible objects (B) and (C).

Correct north, magnetic north, compass north, direction of course, course ruler, middle line.

The angle should be set closed to 90° - with a compass.

Take out direction of course toward point (B) and (C) with the aid of a compass.

Adjust direction of course with correct sign for deviation and variation as shown below:

Calculation

Bearing (course) to point	(B)	(C)
COMPASS BEARING	30°	100°
Magnetic deviation (can be obtained from the boats deviation tables)	$+ 6^\circ$	$+ 6^\circ$
MAGNETIC BEARING	36°	106°
Variation (can be obtained from the marine chart)	$+ 4^\circ$	$+ 4^\circ$
CORRECT BEARING	40°	110°

Exempel 3

Determine "correct course" (boats center point) for the boat with the aid of the course (bearing) ruler.

- a) Set both rulers for correct course (40°) and (110°)
- b) Place the course disc on the marine chart with north and south lines parallel with the marine charts meridian lines.
- c) Move the course disc on the marine chart until the point (B) and (C) notch the middle line on the course ruler based on conditions mentioned in b) above.
- d) The boats correct position is located in the center hole of the course disc.
- e) Set the compass for new course direction toward destination.

AB TEKNORIT
RÅSUNDAVÄGEN 72, 17137 SOLNA, SWEDEN.